

Wolke m600[®] basic

Small Character Thermal Ink Jet Printer

Ink Jet.

Laser.

Thermal Transfer.

Labelers.

Track & Trace.

Supplies.

Parts & Service.



Industrial design. Superior print quality with clean, no mess operation. The Wolke m600 basic thermal ink jet printer is engineered for simplicity without sacrificing the industrial design necessary in today's packaging environments. Suitable for a range of applications and industries, the m600 basic delivers ease-of-use and intuitive operation in a small footprint.

Key features

- High resolution print
- IP65 controller design
- Can drive up to 2 printheads independent or together

Simple to maintain

- Solid state electronics with no moving parts



VIDEOJET
Uptime Peace of Mind[®]



wolke
Inks & Printers

Select Product Specifications

Line Speed / Resolution Capability

250 fpm (75 mpm) at 600x240 dpi
Maximum resolution of 600x600 dpi
Line speed dependent on selected print resolution

Linear Bar Codes

EAN8, EAN13, CODE128, EAN128, 2/5i, CODE39

Keyboard

Membrane style with tactile feedback, including 21 numeric/alphabetic, and special function keys.

Display

320x240 pixel backlit 5.6" LCD display
WYSIWYG onscreen message editing

Language Options (user interface)

English, Danish, Dutch, Finnish, French, German, Italian, Portuguese, Spanish, Swedish

Controller Dimensions

10.6" (270 mm) long
9.1" (230 mm) wide
3.1" (78 mm) high
Dimensions exclude printhead, accessory cables and power supply connections

Printhead Dimensions

Four printhead options are available with different dimensions to meet line integration requirements

The following dimensions are for the Standard Blue printhead:

4.5" (115 mm) long
4.3" (110 mm) high
2.4" (60 mm) wide (at rub plate)

Dimensions exclude cartridge and cable connections

Red, Green, and Gold printhead dimensions vary in length and height from Blue printhead

Environmental Protection

IP65 (controller)

Temperature/Humidity Range

41°F to 113°F (5°C to 45°C)

Non-condensing humidity

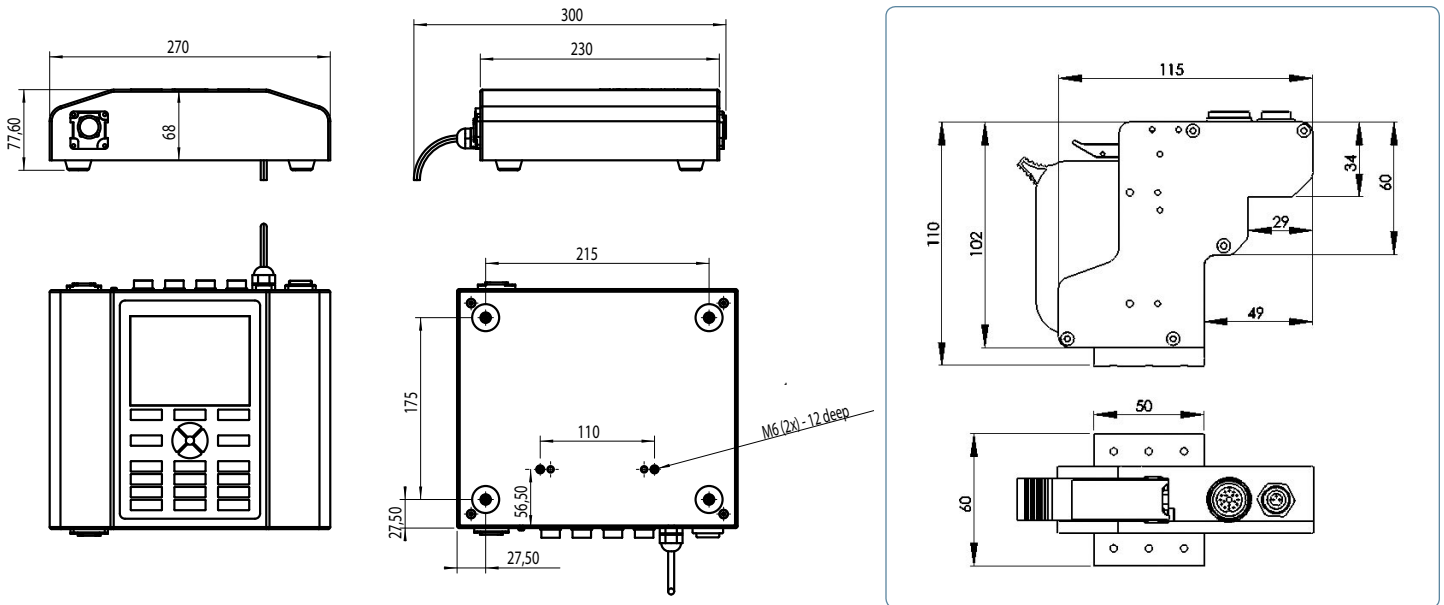
Electrical Requirements

Nominal supply power 90 - 240 VAC at 50/60 Hz

Approximate Weight (Controller)

7.7 lbs (3.5 kgs)

Dimensions



Standard Blue Printhead



800-843-3610 / www.videojet.com / info@videojet.com

Videojet Technologies Inc. / 1500 Mittel Blvd. / Wood Dale IL 60191-1073 / USA

Phone 630-860-7300 Fax 800-582-1343

